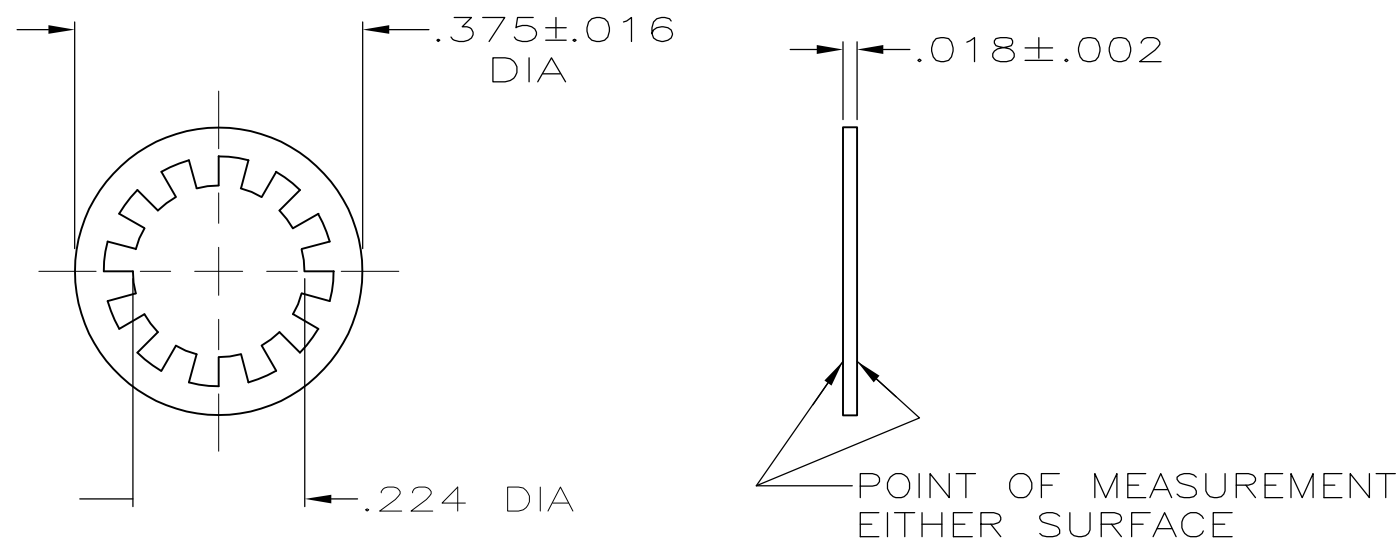


THIS DRAWING IS UNPUBLISHED. RELEASED FOR PUBLICATION
 © COPYRIGHT BY TYCO ELECTRONICS CORPORATION. ALL RIGHTS RESERVED.

LOC	DIST	REVISIONS					
		P	LTR	DESCRIPTION	DATE	DWN	APVD
DF	X5		C	REV PER ECO-07-011678	07JUN07	PY	WM



- ① STEEL PER SAE-AMS-QQ-S-700
- ② STAINLESS STEEL PER ASTM-A-240
- ③ SILVER PLATE PER QQ-S-365
- ④ GOLD PER ASTM-B-488
- ⑤ PASSIVATED PER AMS-QQ-P-35

FINISH	MATERIAL	PART NUMBER
③	①	5-328691-0
⑤	②	1-328691-3
④	②	1-328691-2
③	①	328691

THIS DRAWING IS A CONTROLLED DOCUMENT.		DWN P. YEAGER 09MAR06	Tyco Electronics Corporation Harrisburg, Pa 17105-3608													
DIMENSIONS: INCHES		CHK W. MOYER 10MAR06	NAME LOCKWASHER													
TOLERANCES UNLESS OTHERWISE SPECIFIED:		APVD W. MOYER 10MAR06	PRODUCT SPEC -													
<table border="0"> <tr><td>0 PLC</td><td>± -</td></tr> <tr><td>1 PLC</td><td>± -</td></tr> <tr><td>2 PLC</td><td>± -</td></tr> <tr><td>3 PLC</td><td>± .008</td></tr> <tr><td>4 PLC</td><td>± -</td></tr> <tr><td>ANGLES</td><td>± -</td></tr> </table>		0 PLC	± -	1 PLC	± -	2 PLC	± -	3 PLC	± .008	4 PLC	± -	ANGLES	± -	APPLICATION SPEC -	SIZE A3	CAGE CODE 00779
0 PLC	± -															
1 PLC	± -															
2 PLC	± -															
3 PLC	± .008															
4 PLC	± -															
ANGLES	± -															
MATERIAL -	FINISH -	WEIGHT -	DRAWING NO G-328691	RESTRICTED TO -												
CUSTOMER DRAWING			SCALE 1:1	SHEET 1 OF 1												
			REV C													